

HARVEY LAKE

NO PARCEL 58,59,60,81,84,104,106,3,115,117

THIS MAP IS FOR ASSESSMENT PURPOSES. IT IS NOT VALID FOR LEGAL DESCRIPTION OR CONVEYANCE.

THE HORIZONTAL DATUM IS THE NEW HAMPSHIRE STATE PLANE COORDINATE SYSTEM.

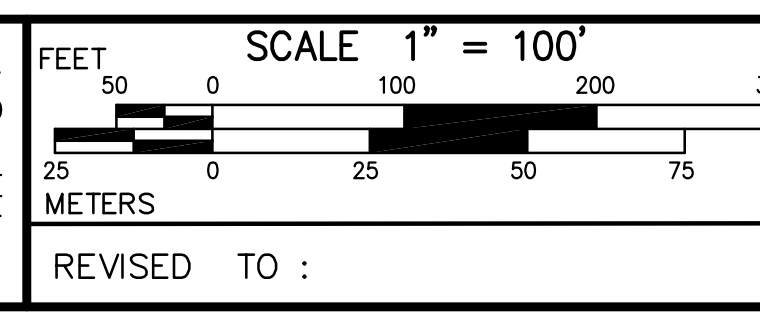
PHOTOGRAPHY DATE: APRIL 18, 1995

COMPLETION DATE: MAY 6, 1996



AREA SURVEYED	Ac
AREA CALCULATED	Ac
RECORD DIMENSION	100'
SCALED DIMENSION	100'S
MATCH LINE	M.L.
WATER	W

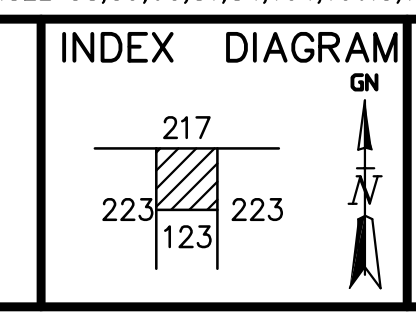
EXEMPT PROPERTY	Ⓢ
SUBDIVISION LOT NO.	Ⓛ
BUILDING	▭
RIGHT OF WAY/ACCESS	—
COMMON OWNERSHIP	OR
WETLANDS	W



PROPERTY MAPS

NORTHWOOD

NEW HAMPSHIRE



MAP NO.

122